

Vertical lifting fabric door

Crawford VL3110FCS

ASSA ABLOY

ASSA ABLOY Entrance Systems

The global leader in door opening solutions



Frequency controlled vertical lifting fabric door

The Crawford VL3110FCS vertical lifting fabric door delivers rapid performance in tough industrial environments. It's an ideal choice for speed, but also for protection against wind, moisture and more.

The unique design and structure offers durability, tightness, energy efficiency, operational reliability and minimum maintenance. Every door is individually designed to meet application requirements, for example high wind load.

The main advantages of the unique Crawford VL3110FCS are:

- Durable vertical lifting fabric construction
- Frequency control for fast operation with soft starts/stops
- Opening speeds up to 1,5 m/s
- Tight sealing and high IP rating
- Tolerance of high wind loads
- Excellent insulation and temperature resistance
- Safety arrestors to prevent free fall
- Aesthetic and customisable appearance
- High operating reliability and low maintenance costs

Fast opening and closing

- By using a frequency converter, the Crawford VL3110FCS has an increased opening and closing speed: up to 1,5 m/s to open and up to 0,35 m/s to close.

Resistant to damage

- Thanks to the flexible design, minor collisions do not cause permanent damage.
- There are no hinges, springs, cables or couplings that can be damaged if anything collides with the door.

Withstands high wind loads

- By designing the door leaf with a suitable number and type of intermediate beams, the Crawford vertical lifting fabric door is made to withstand high wind loads.

Extreme weather has no influence

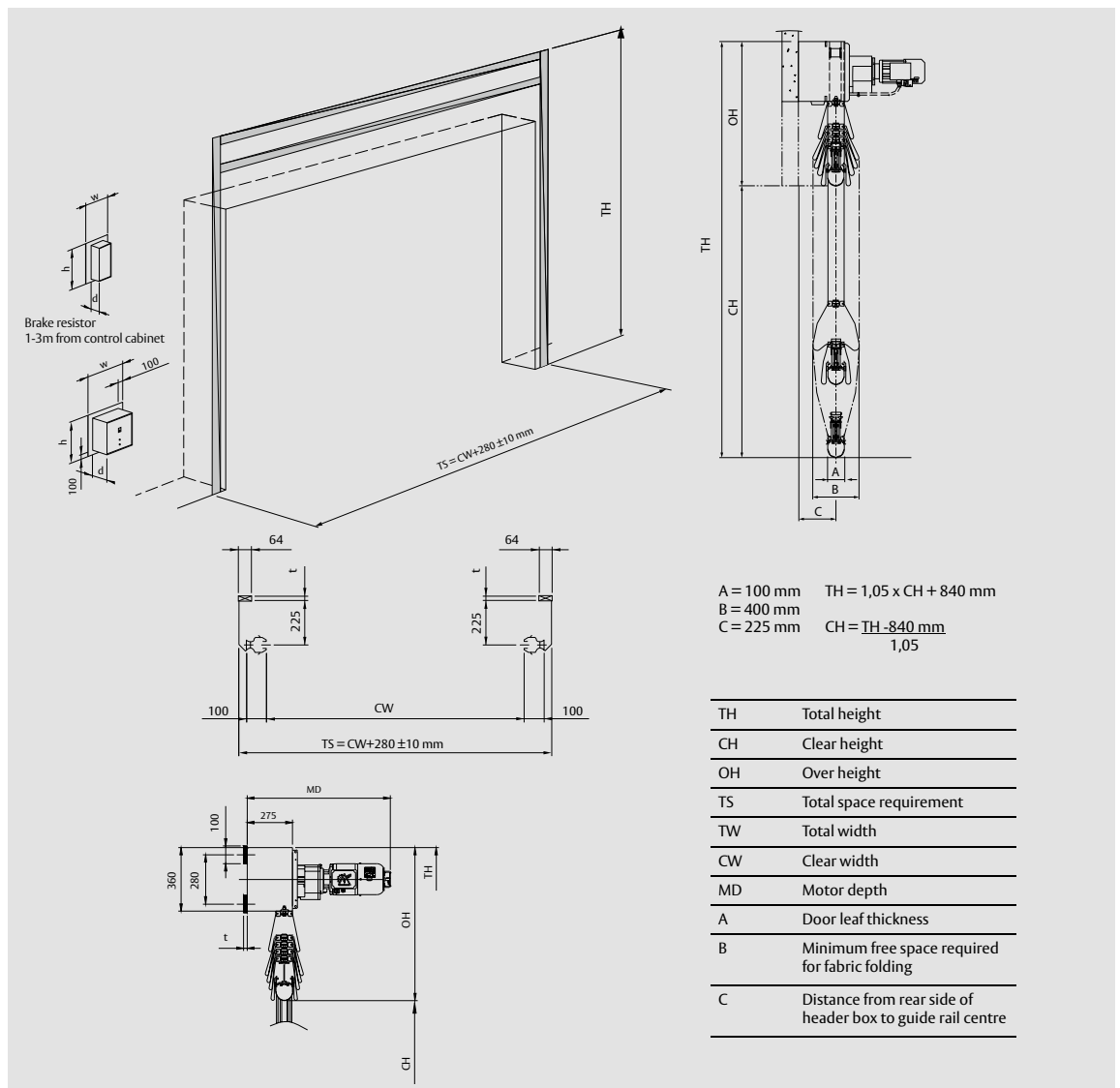
- The Crawford vertical lifting fabric door is made of highly durable materials that easily cope with temperatures from -35°C to 70°C.
- The reinforced, UV-resistant, flame-resistant door fabric is protected against mildew and rot.

Technical Data

| | |
|---|---|
| Max size (W x H) ¹⁾ | 6000 x 6000 mm |
| Door leaf thickness | 100 mm |
| Guide rails material | aluminium |
| Vision panels | optional |
| Wind load resistance (differential pressure) | 0.7-1.6 kPa depending on size (class 3-5, EN 12424) |
| Sound reduction (standard) | 15 dB Rw (ISO 717) |
| Water resistance, EN 12425 | class 3 |
| Air permeability, EN 12426 | class 2 |
| Thermal transmittance, EN 12428 | depending on door size, specific data on request |
| Opening speed | up to 1,5 m/s |
| Closing speed | up to 0,35 m/s |
| Operating environment temperature range | -35°C to +70°C |

1) Other sizes may be available on request

Dimensional specifications



Options



Vision Panels

Vision panels (windows) are available for the standard and arctic fabrics to improve light admission and visibility through the door leaf. The vision panels are available in four different sizes.



Arctic Fabric

The arctic fabric replaces the standard fabric in environments where the temperature can be as low as -54°C.



Sound-reduction Fabric

The sound-reduction fabric is for use in environments where the transmission of sound through the door must be reduced. It is installed on both sides of the door leaf.



Security Fabric

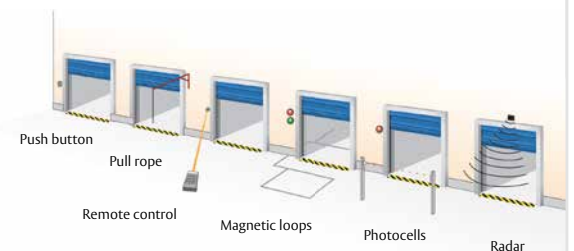
The security fabric is for use in environments where security is important. It is similar to the standard fabric with the addition of galvanized steel wires inside the fabric. It is installed on both sides of the door leaf behind the standard fabric.



Heat-resistant Fabric

The heat-resistant fabric replaces the standard fabric on the inside of the door leaf when there is a requirement to contain heat and/or chemical hazards. It is available with three different coatings dependant on the environment where it is going to be used.

Access and automation



Standard available colours

